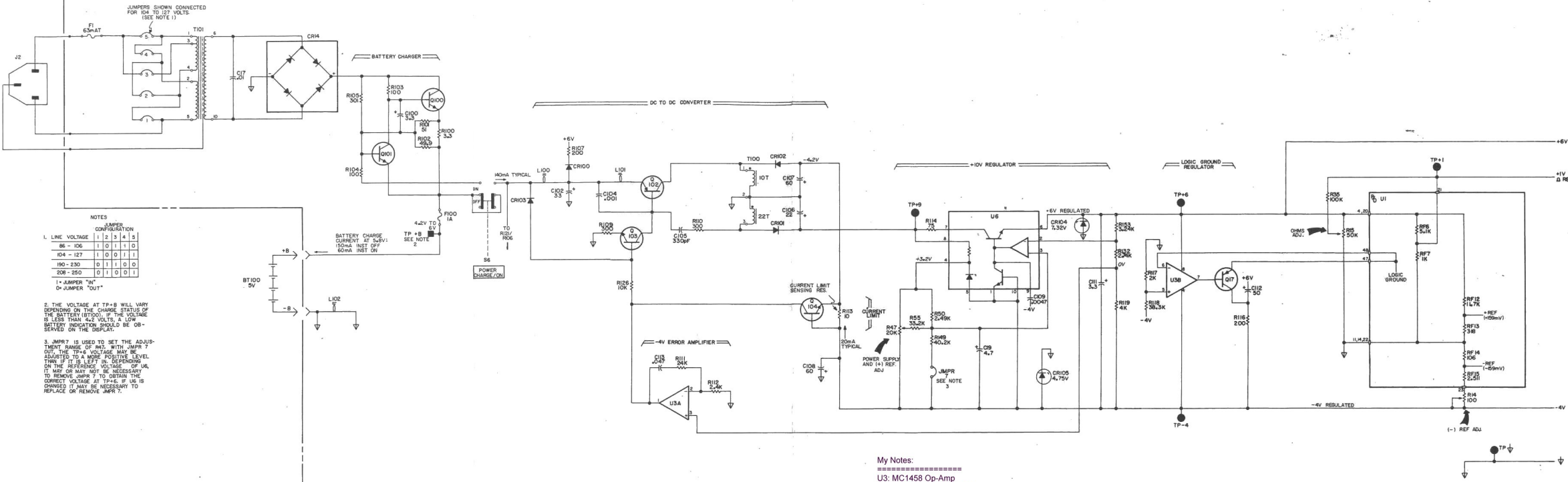


Figure 7-1. Multimeter Schematic Diagram.  
7-5/7-6



NOTES

JUMPER CONFIGURATION

1. LINE VOLTAGE	1	2	3	4	5
86 - 106	1	0	1	1	0
104 - 127	1	0	0	1	1
190 - 230	0	1	1	0	0
230 - 250	0	1	0	0	1

1 - JUMPER "IN"  
0 - JUMPER "OUT"

2. THE VOLTAGE AT TP+8 WILL VARY DEPENDING ON THE CHARGE STATUS OF THE BATTERY (BT100). IF THE VOLTAGE IS LESS THAN 4.2 VOLTS, A LOW BATTERY INDICATION SHOULD BE OBSERVED ON THE DISPLAY.

3. JMPR7 IS USED TO SET THE ADJUSTMENT RANGE OF W4. WITH JMPR7 OUT, THE TP+8 VOLTAGE MAY BE ADJUSTED TO A MORE POSITIVE LEVEL THAN IF IT IS LEFT IN, DEPENDING ON THE REFERENCE VOLTAGE OF U6. IT MAY OR MAY NOT BE NECESSARY TO REMOVE JMPR7 TO OBTAIN THE CORRECT VALUE. AT TP+8, IF W4 IS CHANGED IT MAY BE NECESSARY TO REPLACE OR REMOVE JMPR7.

My Notes:  
 =====  
 U3: MC1458 Op-Amp  
 U6: UA723C Volt Reg TO-5

2  
 Figure 7-2. Power Supply.  
 7-7/7-8